

the Outer Borough Lamp



Specifications

Environments: Indoor Dry location.

Weight: 68 lbs [31 kg]
 Dimensions: 8"x48"x100" [203 x 1220 x 2540 mm]

Base Material: High-strength cast concrete.
 Base Color: Polished Portland-cement grey.

Arm Material: Double-leaf steam-bent oak wood - fixed.
 Adjustable: No.
 Arm Color: **1.** Espresso stain **2.** Golden Oak stain.



Power: 120V NIMA 5-15P to C-13 modular cord.

Switch: On/Off toggle switch on top of base.
 Dimmable: No.

Pendant: Standard-medium E26/27 shade-ready socket plugs into top of base with a two-pronged polarized NIMA 1-15P cord.

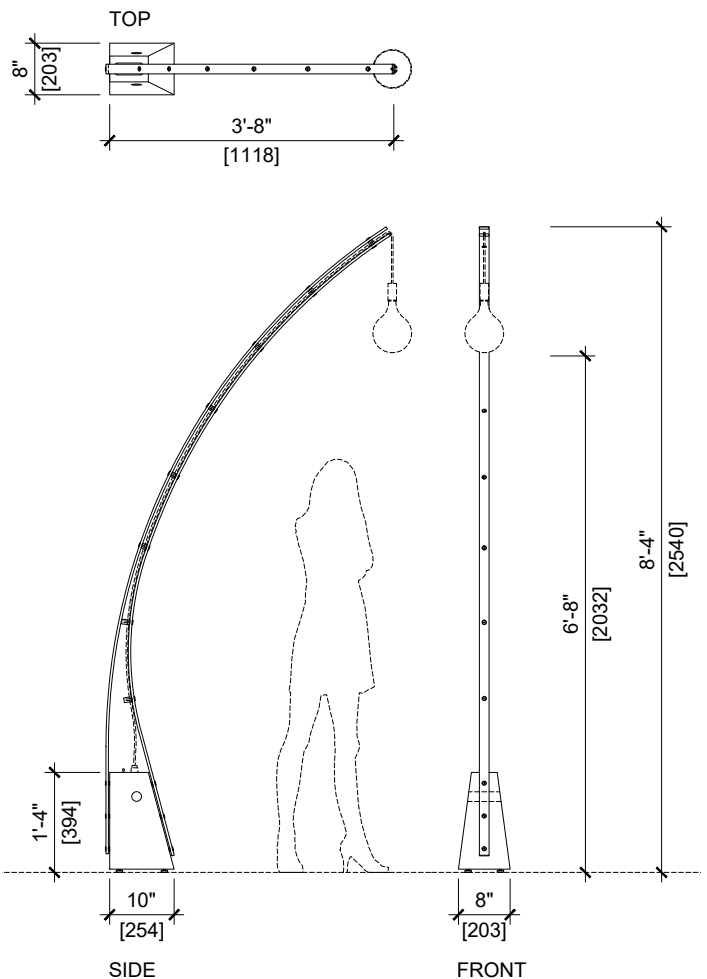
Bulb **A**: 60W 8"Dia Filament Bulb 160Lm 2200K No Shade - Unprotected Bulb.

Bulb **B**: 40W 5"Dia Filament Bulb 150Lm 2200K With Shade for high-traffic/commercial.

The bulb options provide a warm vintage ambiance and can be replaced with an energy efficient LED bulb if required.

Shipping: Ships in 3 boxes: base, arm, & pendant
 Assembly required, 2 people

Manufacturing: Hand Made in Brooklyn, New York
 Lead time 12 Weeks to ship.



the Outer Borough Lamp

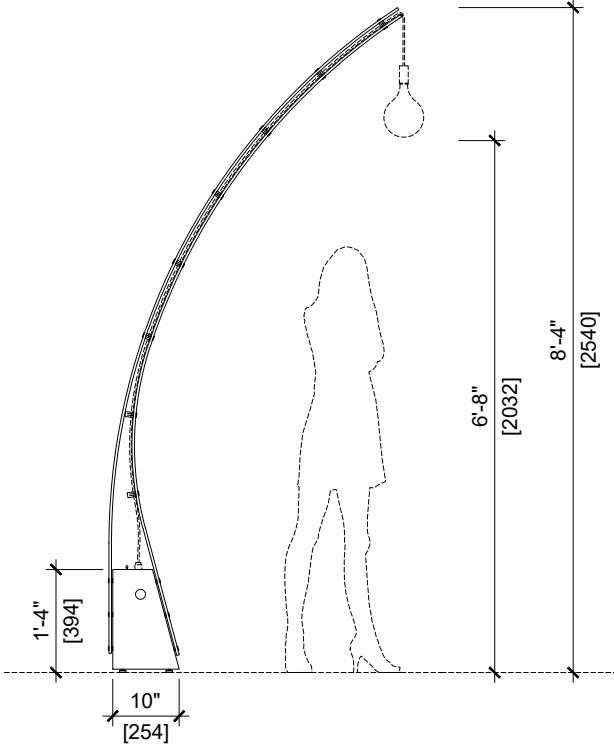
Specifications

- Environments: Indoor Dry location.
- Weight: 68 lbs [31 kg]
- Dimensions: 8"x48"x100" [203 x 1220 x 2540 mm]
- Base Material: High-strength cast concrete.
- Base Color: Polished Portland-cement grey.
- Arm Material: Double-leaf steam-bent oak wood - fixed.
- Arm Color: **1.** Espresso stain **2.** Golden Oak stain.
- Power: 120V NIMA 5-15P to C-13 modular cord.
- Switch: On/Off toggle switch on top of base.
- Dimmable: No.
- Pendant: Standard-medium E26/27 shade-ready socket plugs into top of base with a two-pronged polarized NIMA 1-15P cord.
- Bulb Option **A:** 60W 8"Dia Filament Bulb 160Lm 2200K No Shade - Unprotected Bulb.
- Bulb Option **B:** 40W 5"Dia Filament Bulb 150Lm 2200K With Shade for high-traffic/commercial.



The bulb options provide a warm vintage ambiance and can be replaced with an energy efficient LED bulb if required.

- Shipping: Ships in 3 boxes: base, arm, & pendant Assembly required, 2 people
- Manufacturing: Hand Made in Brooklyn, New York Lead time 12 Weeks to ship.



the Outer Borough Lamp

